



## Acrylic Shower Base Line



- INSTALLATION INSTRUCTIONS
- CARE AND CLEANING
- WARRANTY

BathCraft employs independent testing to certify that products meet the requirements of ANSI Z124.1/2.

### BathCraft

P.O. Box 1106 - 1610 James P. Rodgers Drive Valdosta, GA 31603

1-(800)-343-8295

1.

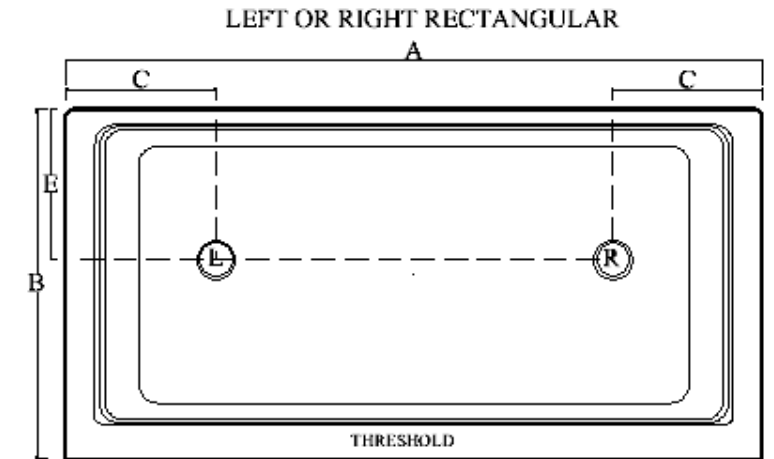
SQUARE OR RECTANGULAR	MODEL	A	B	C	D
	AB3636	36	36	17 3/4	17 3/4
	AB4242	42	42	21	21
	AB4236	42	36	21 1/4	18
	AB4834	48	34	24	17
	AB4848	48	47 1/2	24	23 3/4
	AB6036	60	36	30	17
	AB7236	72	36	36	18
	AB4832	48	32 1/4	24	16
	AB3838	38	38	19	19
	AB6042	60	42	30	20 1/2
	AB6034	60	34	30	17
	AB6030	60	30	30	15

### !!! IMPORTANT !!!

- **The Shower base must be leveled by plumber for proper drainage. Read instructions completely before installation.**
- **Observe local plumbing and building codes.**
- **All Thresholds are 6 1/4"**
- **All Shower Base Wall Flanges are 1"**
- **Shim BETWEEN Studs and Flanges So No Flange Is Spread and Cracked During Installation.**
- **Our warranty doesn't cover improper installation related problems.**
- **All measurements are + or - 1/4"**

MODEL	A	B	C & D	E	F	MODEL	A	B	C	D
AB36NEO	36	36	12 1/2	17 7/8	26	AB3636	36	36	17 1/2	17 1/2
AB38NEO	38	38	12 1/2	19 7/8	25 3/4					
AB42NEO	42	42	12 1/2	24	25 5/8					

2.



MODEL	A	B	C	D	E (RL Hand)	E (Lt. Hand)
AB6042	60	32	9 3/4	20 1/2	15	15 1/2

**IMPORTANT:** Immediately upon receiving, inspect the base before installing. Should inspection reveal any damage or defect in the finish, do not install the base. Damage or defect to the finish claimed after the base is installed is excluded from the warranty.

The shower base must be level to drain properly.

1. If the subfloor is level no other preparation is needed, if not level use leveling compound or mortar over the entire area to assure all base blocks sit level and the **base isn't being supported by the flange.**
2. Check and correct to square stud walls then **install blocking (2 X 4) flush with pocket** between the studs centered at 6 1/2" above floor height for flange and wall attachment. (See Figure 1)
3. Install drain (not provided) to the base following the directions supplied with the drain. Tape over the drain to protect the finish and prevent trash from entering the drain.
4. Then set the base in place, check base level and square walls.
5. Install shower base in stud pocket. **IMPORTANT: IF THERE IS ANY GAP BETWEEN THE FLANGE AND STUDS OR BLOCKING, SHIM THE GAP AS SHOWN BEFORE ATTACHING FLANGE TO SUPPORT TO PREVENT THE FLANGE FROM CRACKING.** (See Figure 1)

3.

6. Drill holes in flange with a dull drill bit to prevent cracking flange and attach base to blocking and shims (if required) with stainless steel screws. (See Figure 1)
7. Install cement board to hang over shower wall flange by 1/8" or more to allow a gap between shower flange and wall finish material (tile). (See Figure 1)
8. Wall finish material should have at the bottom a 1/8" gap above the shower base surface. (See Figure 1)
9. Silicone sealant should be applied leaving a 1/4" minimum drain hole in the back corners of the shower. The holes are to allow drainage from any cracks that may occur in the grout or surface of the walls. Sealing the grout will help prevent this also. (See Figure 2)

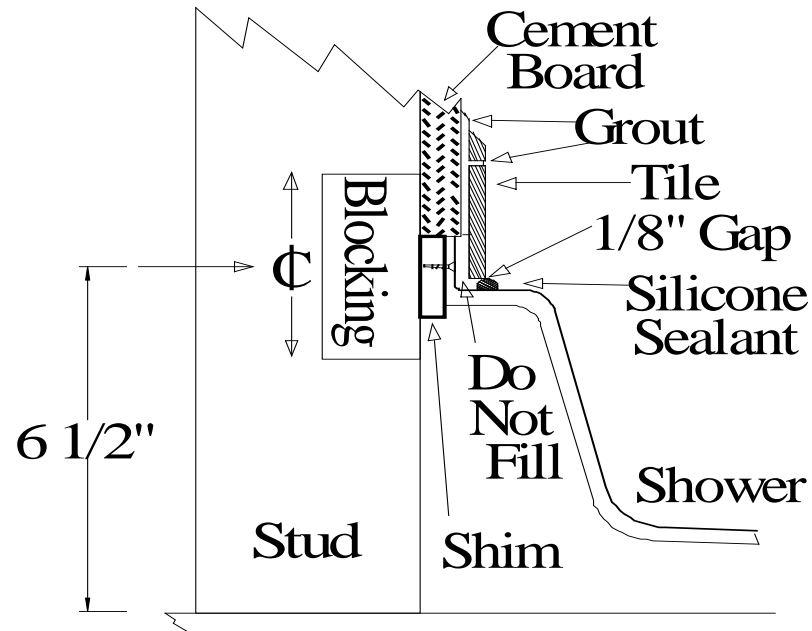


Figure 1

4.

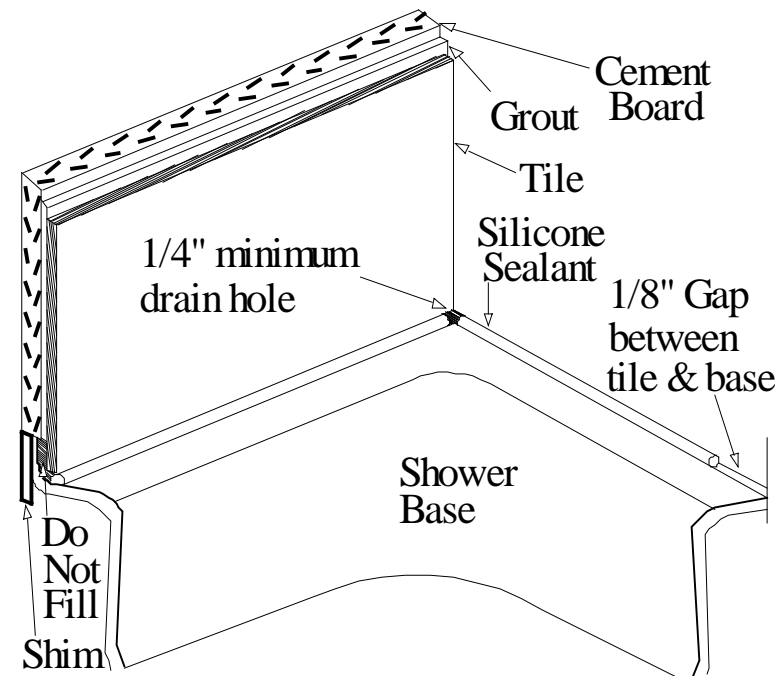


Figure 2

5.

## Care and Cleaning

BathCraft units are easy to keep clean and sparkling. Simply use warm water and a leading liquid cleaner. Never use abrasives as this will dull the surface of the unit or leave scratches. In cases where abrasives were used however, the finish can be restored by applying an automotive white polishing compound (suitable for plastics or fiberglass) applied with a soft cloth, rubbing vigorously and then wiping off residue. Use a wax suitable for plastics or fiberglass with the prescribed procedures from a leading automotive wax manufacturer.

Stubborn stains can be removed with solvents such as alcohol or mineral spirits. In cases where this is necessary use the compounding and wax procedures shown above to finish the area where the solvents were used. Rubber bath mats may be used.

**Caution Note:** When using cleaning solvents use all prescribed safety pre-cautions.

## Limited Warranty

BathCraft warrants to the original retail purchaser (herein "Original purchaser") that the BathCraft unit (herein "the unit") to which this warranty is affixed is free from hidden defects in material and workmanship under normal use and service for (3) three years from date of invoice or as otherwise agreed to in writing by BathCraft. BathCraft shall not be liable under this warranty if, in its judgment, any person or persons installing the unit have reason to know of any defect therein prior to installation. BathCraft's liability and the original purchaser's exclusive remedies under this warranty shall be limited to the onsite repair by an authorized repair agent, or at BathCraft's option, either the refund of the full purchase price or replacement, without charge except for transportation and installation, of any part or parts of the unit which in BathCraft's judgment are defective in material or workmanship. Any repaired or replaced part of the unit shall be warranted to the original purchaser only for the unexpired portion of the original warranty. This warranty shall not apply to any unit which has been repaired other than as indicated herein or which has been altered in any way which, in the judgment of BathCraft affects its condition or performance, and is void if defect is caused by wind, storm, fire, accident, or similar casualty, or by improper use, installation, maintenance or storage. Replacement can only be authorized by a BathCraft representative and only if the unit is beyond repair. Repairs made by unauthorized persons are not covered under warranty.

Except as required by law, BathCraft shall not be liable to the purchaser or anyone else for damages, including, but not limited to, consequential damages and damages by reason of injury to any person, due to any defect in or malfunction of the unit or any part or parts thereof, or for any other reason.

Some states do not allow exclusion or limitation of incidental or consequential damages, so the above limitation or exclusion may not apply to you.

"To the extent allowable under specific state laws the obligations of BathCraft hereunder are expressly granted in lieu of all warranties, whether express or implied, including but not limited to implied warranties or merchantability and fitness for a particular purpose, except that implied warranties shall be effective for (3) three years from the date of invoice of this unit, after said (3) three years all implied warranties are disclaimed and excluded from this warranty".

Some states do not allow limitations on how long an implied warranty lasts, so the above limitation may not apply to you.

6.