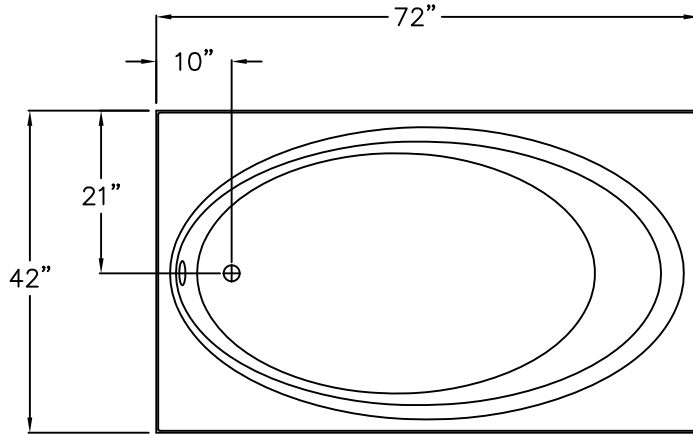


SUBMITTAL DATA

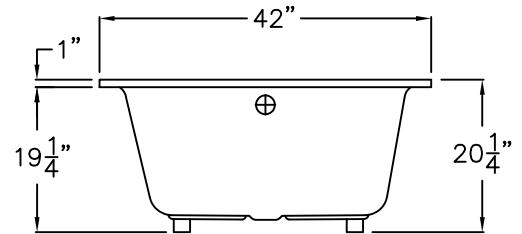
HANDED BY THE DRAIN



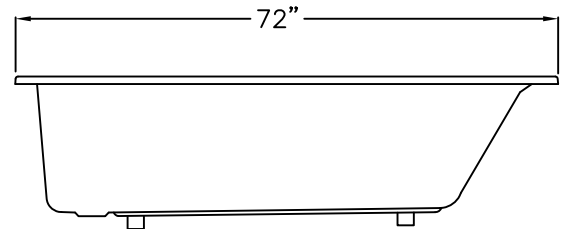
TOP VIEW



SIDE VIEW



FRONT VIEW



Acrylic Drop In Tub

This drop in style tub enclosure shall be model A97242. Finished surface shall be of a sanitary grade cast acrylic.

The unit shall have outside dimensions of 72" x 42" x 20 1/4".
The one piece tub shall meet ANSI Z124.1.2 and FHA/HUD-UM-73A.

The enclosure shall be equipped with the following accessories:

1. Cast Acrylic Finish
2. Handed Drain Location
3. Drop-In Design

| | | | | |
|--|------------------------|------|--------------------------------|---|
| Job Name. | Approved By Print Name | Date | BATHCRAFT | |
| Project No. | Approved By Signature | | Model No. A97242 | |
| BATHCRAFT 1610 J.P. Rogers Drive Valdosta, GA 31601 Tel: 800.343.8295 Fax: 229.245.0994 www.bathcraft.com | Architect | | Drawing No. A97242 Tub Only | |
| | Engineer | | Date Issued. 8-25-14 | Revised. 8-22-17 |
| | Rep | | Material. Cast Acrylic Surface | |
| | Wholesaler | | Color: | |
| | Comments: | | | Dimensions are in inches. Due to the nature of the materials. Dimensions may vary +/- 1/2" |